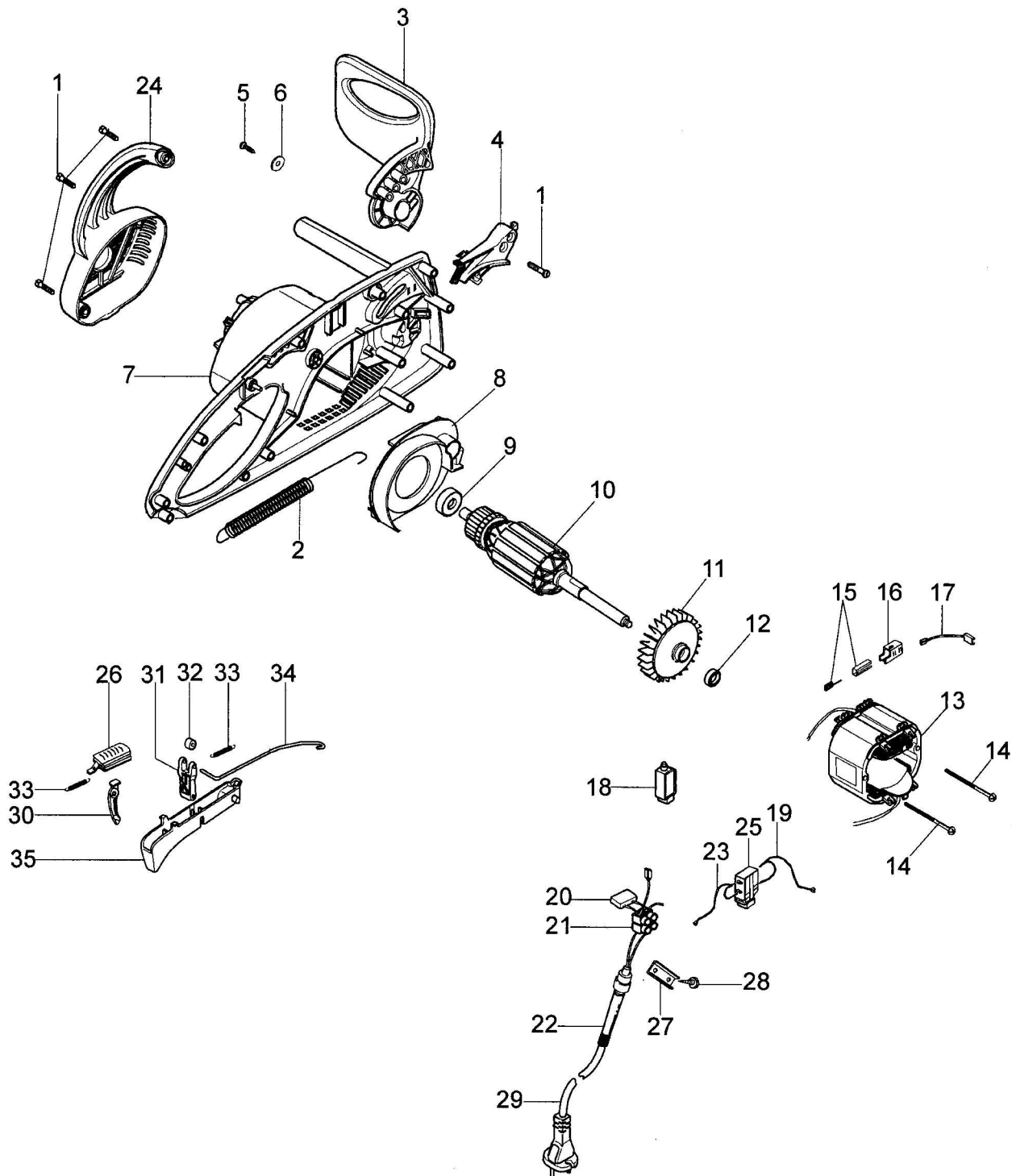


EF 17E  
Motor

---



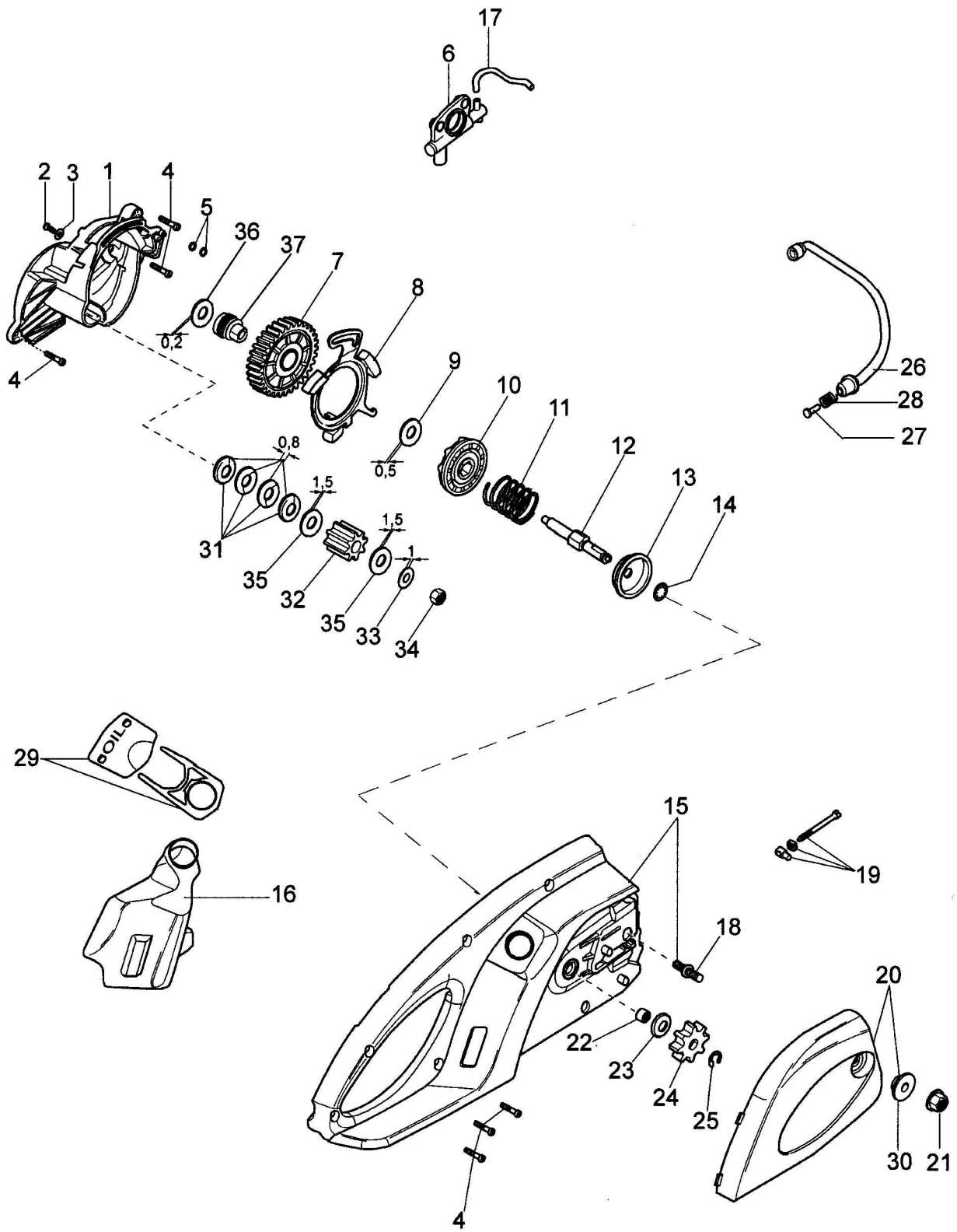
## EF 17E

## Motor

---

Reference	Item number	Quantity	Description
1	3960057	15,00	SCREW
2	51010011	1,00	SPRING
3	51010200	1,00	GUARD
4	51010147	1,00	LEVER
5	3960084	1,00	SCREW
6	3918018	1,00	WASHER
7	51010178	1,00	HALF CRANKCASE
8	51010029	1,00	FLANGE
9	3035003	1,00	BEARING
10	51010102	1,00	ROTOR
11	51010032	1,00	FAN
12	51010045	1,00	BUFFER
13	51010068	1,00	STATOR
14	3960036	2,00	SCREW
15	51010114	2,00	BRUSH
16	51010049	2,00	BRUSH HOLDER
17	51010044A	2,00	CABLE
18	51010093	1,00	CIRCUIT BREAKER
19	51010227	1,00	CABLE
20	51010113	1,00	CONDENSER
21	3044002	1,00	CLAMP
22	011500076A	1,00	GROMMET
23	51010228	1,00	CABLE
24	51010201	1,00	COVER
25	2317027	1,00	SWITCH
26	51010185	1,00	SWITCH
27	012000033	1,00	PLATE
28	3960109	2,00	SCREW
29	51010042A	1,00	CABLE
30	51010186	1,00	LEVER
31	51010028	1,00	LEVER
32	51010038	1,00	ROLLER
33	51010034A	1,00	SPRING
34	51010020	1,00	THROTTLE ROD
35	51010193	1,00	THROTTLE

EF 17E  
Set of pinions

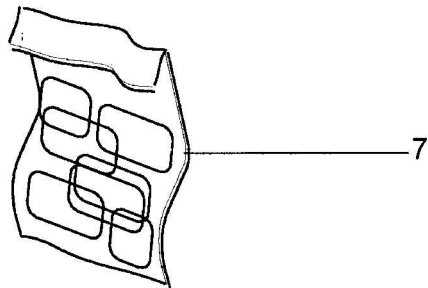
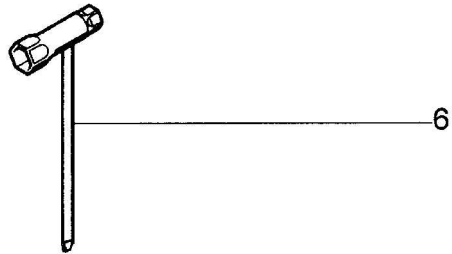
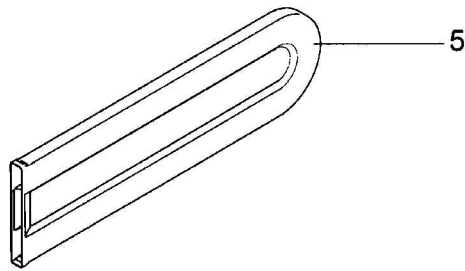
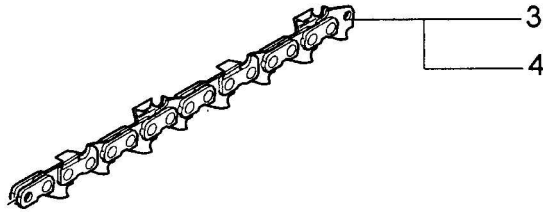
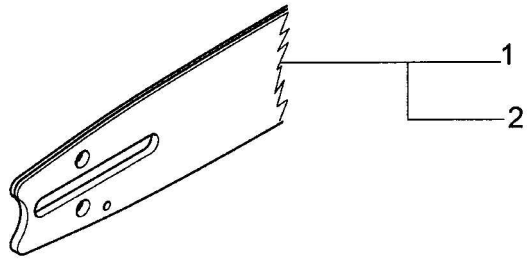


## EF 17E

## Set of pinions

---

Reference	Item number	Quantity	Description
1	51010184	1,00	SUPPORT
2	3960084	1,00	SCREW
3	3918010	1,00	WASHER
4	3960057	15,00	SCREW
5	3049033	2,00	O-RING
6	50050020	1,00	OIL PUMP
7	51010171	1,00	RIM
8	51010191	1,00	FLANGE
9	3064032	1,00	WASHER
10	51010015	1,00	SHAFT JOINT
11	51010012	1,00	SPRING
12	51010172	1,00	SHAFT
13	51010004	1,00	WASHER
14	3868003	1,00	SEAL RING
15	51012067	1,00	HALF CRANKCASE
16	51010030	1,00	TANK
17	51010054	1,00	HOSE
18	51010016	1,00	STUD
19	011500462	1,00	CHAIN TENSIONER
20	51012070	1,00	CHAIN COVER
21	50010148R	1,00	NUT
22	3037023	1,00	BEARING
23	51010019	1,00	WASHER
24	51010008	1,00	SPROCKET
25	3026013	1,00	RING
26	51010177	1,00	HOSE
27	003300293	1,00	FILTER BODY
28	51010077	1,00	SPRING
29	51012072	1,00	OIL CAP ASSY
30	51010040	1,00	INSERT
31	3057006	4,00	WASHER
32	51010002	1,00	SPROCKET
33	3064035	1,00	WASHER
34	3980014	1,00	NUT
35	3064004A	2,00	WASHER
36	3064037	1,00	WASHER
37	51010150	1,00	WORM GEAR



## EF 17E

### Accessoires

---

Reference	Item number	Quantity	Description
1	093500357	1,00	BAR EF 14" 3/8"
2	50052019	1,00	BAR
3	51010103R	1,00	CHAIN
4	50050093R	1,00	CHAIN
5	1144038	1,00	BAR COVER
6	2304073	1,00	WRENCH 13X19
7	51012091	1,00	DECALS SET